

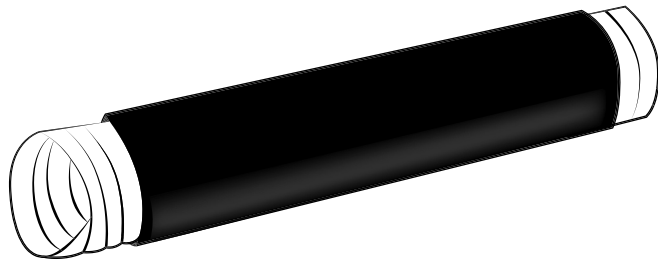
# TEF JTF

## Cold Shrink Tube

Copyright © Fi.Mo.Tec. S.p.A.  
www.fimoworld.com

IST. 053 - REV. 1 - 7/16

### INSTALLATION INSTRUCTIONS



### ⚠️ WARNINGS!

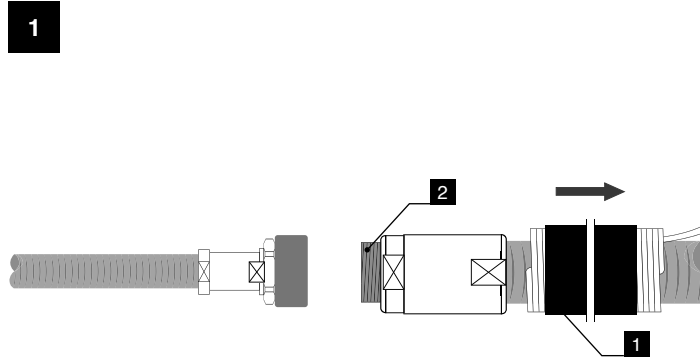
Installation of products must be performed by qualified, trained and experienced personnel. Installation personnel must be correctly and safely equipped. Mounting instructions and warnings must be read prior to installation. Warnings alert you to possible dangers about improper use of product. Failure to observe warnings may result in injury or death to you or others.



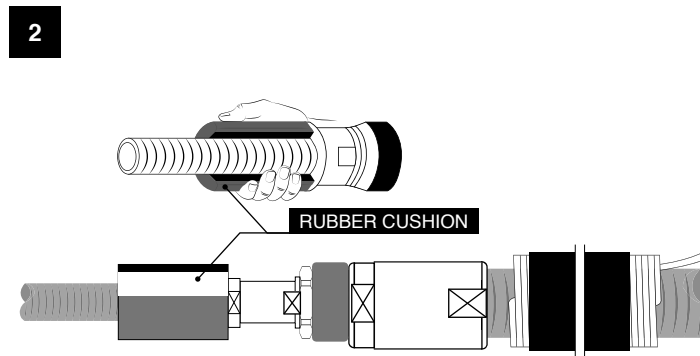
Fi.Mo.Tec. S.p.A.  
is certificated ISO 9001  
and RoHS DIRECTIVES  
compliant.



All rights reserved.  
Passing on and copying of  
this document, use and com-  
munication of its contents  
not permitted without Fi.Mo.  
Tec. S.p.A. prior consent.



- 1 - Slip in the cold shrink tube before connection.
- 2 - Connect the jumper cable to feeder cable.

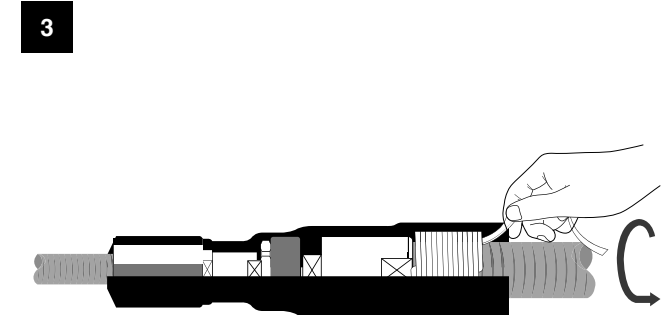


Remove the protective film around rubber cushion. Remove protective film from butyl tape connecting two halves of round cushion. Apply round cushion around jumper cable, closing the two halves together.

#### Note:

1. Remove all moisture from cables and connectors before attaching cold shrink material on foam dielectric cable.
2. Don't attach cold shrink materials to air dielectric cable or cable markers.

**Note:** Installation of this product should only be performed by trained, qualified and experienced personnel. Installation instructions for this product should be read thoroughly before installation is performed. The manufacturer and supplier of this products disclaim any liability or responsibility for the results of improper or unsafe installation practice.



Counterclockwise rotate and pull out the plastic core, the tube will shrink.

