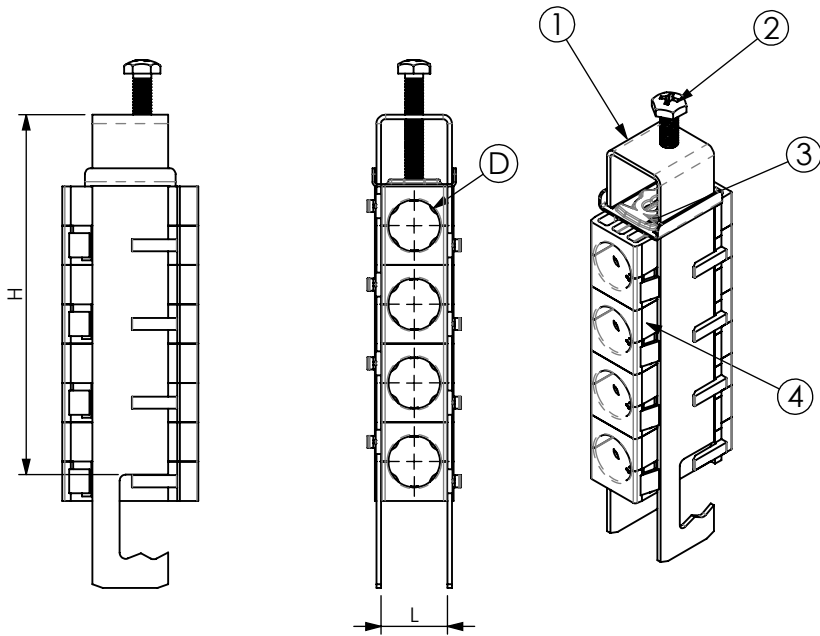


PRODUCT DATA SHEET



A) SPECIFICATIONS

- 1 Stainless steel AISI304 bow
Hooking on flat 3-25 and round \varnothing 8-25.
- 2 Self-locking pressure screw M6 or M8 AISI304
- 3 Stainless steel AISI304 sliding pressure plate.
- 4 SAS black P.A.fiberglass saddles

B) RESISTANCE TESTS

UV Test BS-ISO 105-B06
 Vibration test conforming to IEC 60068-2-6
 Corrosion test: UNI EN ISO 9227
 Operating temperature: -30°C +120°C

C) PACKAGING INFORMATION

Packing in boxes.
 Label indicating:
 product code, article, quantity,
 production batch,
 FIMO logo and figure.
 (Customer code on request).

D) MOUNTING INSTRUCTIONS

IST026

CODE	ARTICLE	\varnothing D	L	H	BOX	WEIGHT
61 1556 1411	sRF M/ 4x11	10 - 11	22	118	50	162
61 1556 4012	sRF M/ 4x12	11 - 12	22	118	50	156
61 1556 1412	sRF M/ 4x1/2" (17)	16 - 17	22	118	50	156
61 1556 1478	sRF M/ 4x7/8" (28)	27 - 28	34	166	50	256

RI	DATE	DR	DATE	AP	Description:
02					Stainless cable clamps type sRF M For 4 coaxial cables, complete with 6 calibrated saddles. For articles see schedule.
01					
00	20/06/17	G.S.	20/06/17	A.V.	
1 ST EMISSION					
					Use: Fixing of 4 cables on flat 3-25 and round \varnothing 8-25.