

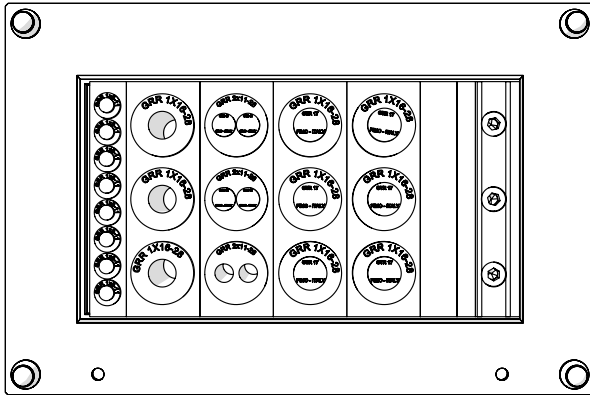
# PMR

## Wall Entries

Copyright © Fi.Mo.Tec. S.p.A.  
www.fimoworld.com

IST. 006 - REV. 2 - 09/15

### INSTALLATION INSTRUCTIONS



### WARNINGS!

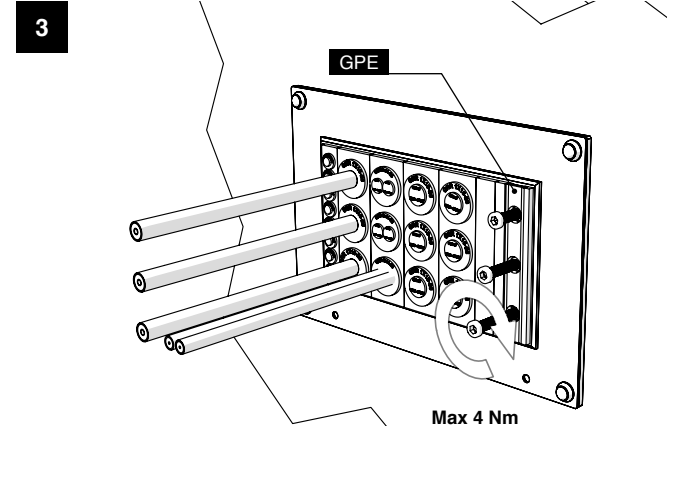
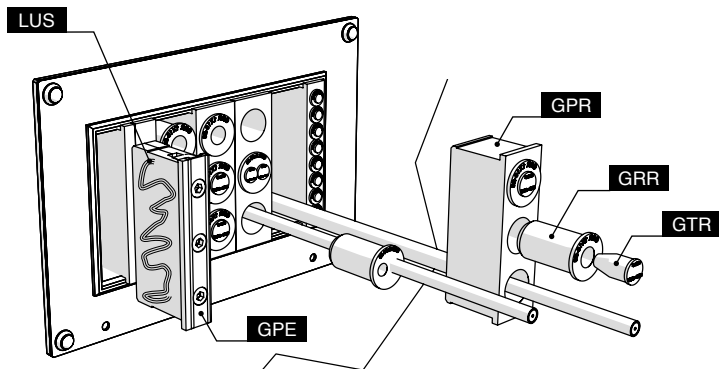
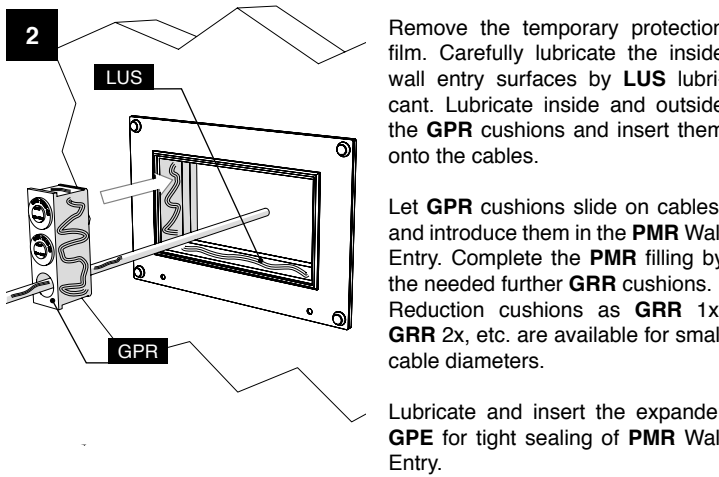
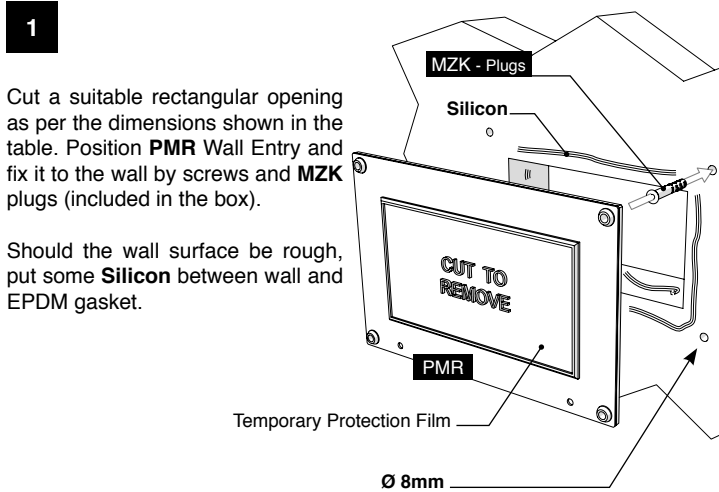
Installation of products must be performed by qualified, trained and experienced personnel. Installation personnel must be correctly and safely equipped. Mounting instructions and warnings must be read prior to installation. Warnings alert you to possible dangers about improper use of product. Failure to observe warnings may result in injury or death to you or others.



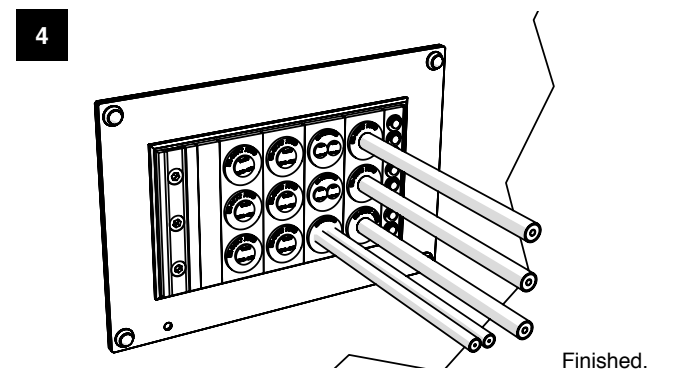
Fi.Mo.Tec. S.p.A. is certificated ISO 9001 and RoHS DIRECTIVES compliant.



All rights reserved. Passing on and copying of this document, use and communication of its contents not permitted without Fi.Mo.Tec. S.p.A. prior consent.



Tighten progressively and alternatively the 3 screws of the expander GPE. Max tightening torque = 4 Nm.



CODE	ARTICLE	FRAME Lx220	WALL OPENING Dimensions Referred to Frame's external size
61 1511 1400	PMR 140/01	240x220	160x140
61 1511 2300	PMR 230/02	330x220	250x140
61 1511 2800	PMR 280/03	380x220	300x140
61 1511 3300	PMR 330/04	430x220	350x140

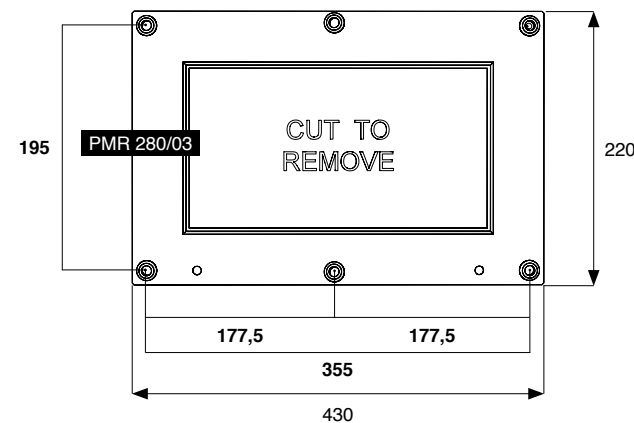
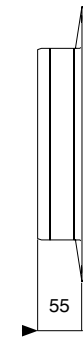
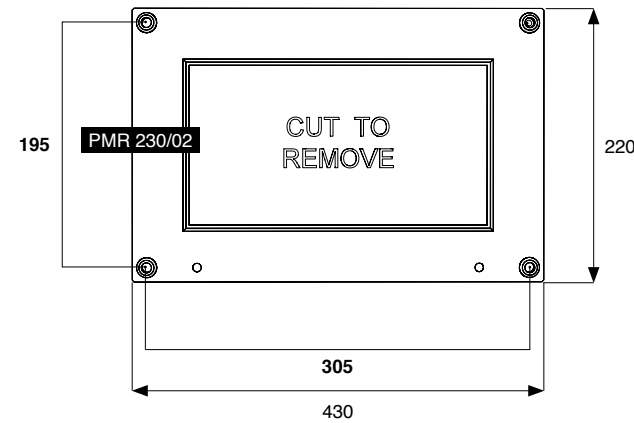
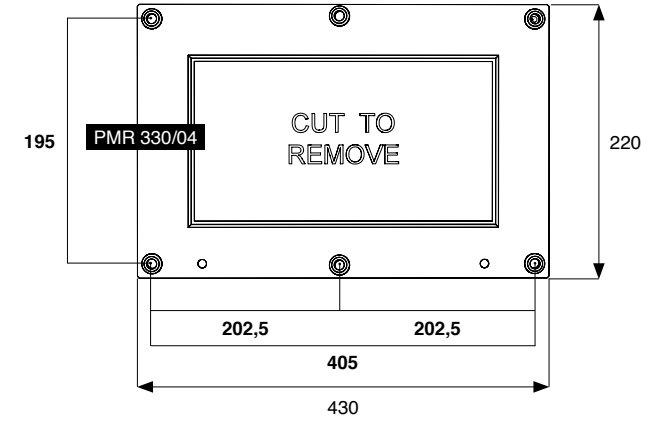
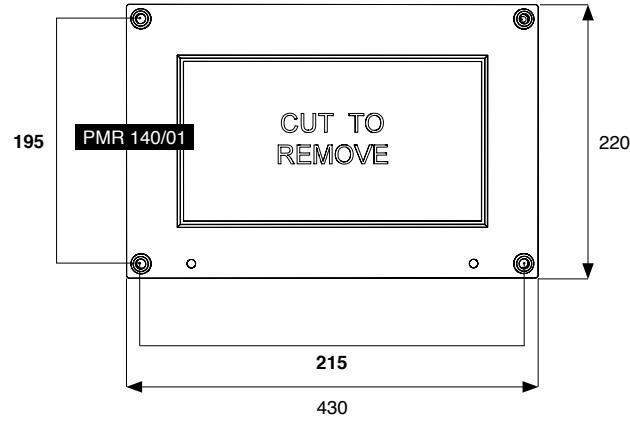
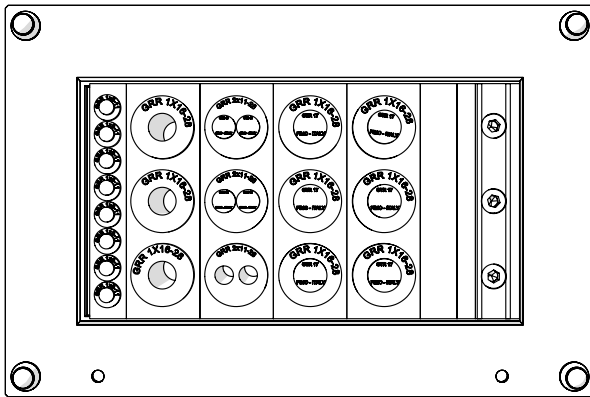
# PMR

## Wall Entries

Copyright © Fi.Mo.Tec. S.p.A.  
www.fimoworld.com

IST. 006 - REV. 2 - 09/15

### INSTALLATION INSTRUCTIONS



### WARNINGS!

Installation of products must be performed by qualified, trained and experienced personnel. Installation personnel must be correctly and safely equipped. Mounting instructions and warnings must be read prior to installation. Warnings alert you to possible dangers about improper use of product. Failure to observe warnings may result in injury or death to you or others.



Fi.Mo.Tec. S.p.A. is certificated ISO 9001 and RoHS DIRECTIVES compliant.



All rights reserved. Passing on and copying of this document, use and communication of its contents not permitted without Fi.Mo.Tec. S.p.A. prior consent.



CODE	ARTICLE	WALL OPENING Dimensions Referred to Frame's external size
61 1511 1400	PMR 140/01	160x140
61 1511 2300	PMR 230/02	250x140
61 1511 2800	PMR 280/03	300x140
61 1511 3300	PMR 330/04	350x140