

7/16 F/F Bulkhead Coaxial RF Surge Protector, 100MHz - 512MHz, DC Block, 27kW, IP67, .5uJ, 20kA, Filter, Low PIM -150 dBc, Hole Mount



VHF50D-PGR

Features

- Surge current of 20kA
- Max Power 27kW
- Frequency range from 100 to 512 MHz VHF Band
- DIN-type Female connectors
- VSWR 1.1:1
- Waterproof IP67 rated
- DC Block
- Multi-strike capability
- CE & RoHS compliant

Applications

- Emergency response systems
- Public safety systems

Description

RF filter (also known as lightning arrester or surge arrestor) VHF50D-PGR from PolyPhaser, integrating a patented inductor designed for lightning surges and a RF blocking capacitor. This RF surge protector component is manufactured in a coaxial in-line design with wide operating frequency range. All PolyPhaser RF surge protector products are available in stock with same day shipping

Electrical Specifications

Surge Protector Type DC Handling	Surge Filter DC Block			
Description	Minimum	Typical	Maximum	Units
Frequency Range	100		512	MHz
Impedance		50		Ohms
VSWR			1.1:1	
Insertion Loss			0.1	dB
Passive Intermodulation		-150		dBc
Input Power, CW			27	kWatts
Surge Current IEC 61000-4-5 8/20µs waveform			20	kA
Throughput Energy for 3kA @ 8/20µs waveform			500	nJ

Click the following link (or enter part number in "SEARCH" on website) to obtain additional part information including price, inventory and certifications:
[7/16 F/F Bulkhead Coaxial RF Surge Protector, 100MHz - 512MHz, DC Block, 27kW, IP67, .5uJ, 20kA, Filter, Low PIM -150 dBc, Hole Mount VHF50D-PGR](#)

7/16 F/F Bulkhead Coaxial RF Surge Protector, 100MHz - 512MHz, DC Block, 27kW, IP67, .5uJ, 20kA, Filter, Low PIM -150 dBc, Hole Mount



VHF50D-PGR

Mechanical Specifications

Size

Length	4.21 in [106.93 mm]
Width/Diameter	3.01 in [76.45 mm]
Height	1.66 in [42.16 mm]
Weight	1.15 lbs [521.63 g]

Configuration

Input Connector	7/16 DIN Female
Output Connector	7/16 DIN Female

Environmental Specifications

Temperature

Operating Range	-50 to +85 deg C
Storage Range	-50 to +85 deg C

Ingress Protection (IP) Rating	IP67
Humidity	95%

Compliance Certifications

CE

Plotted and Other Data

Notes:

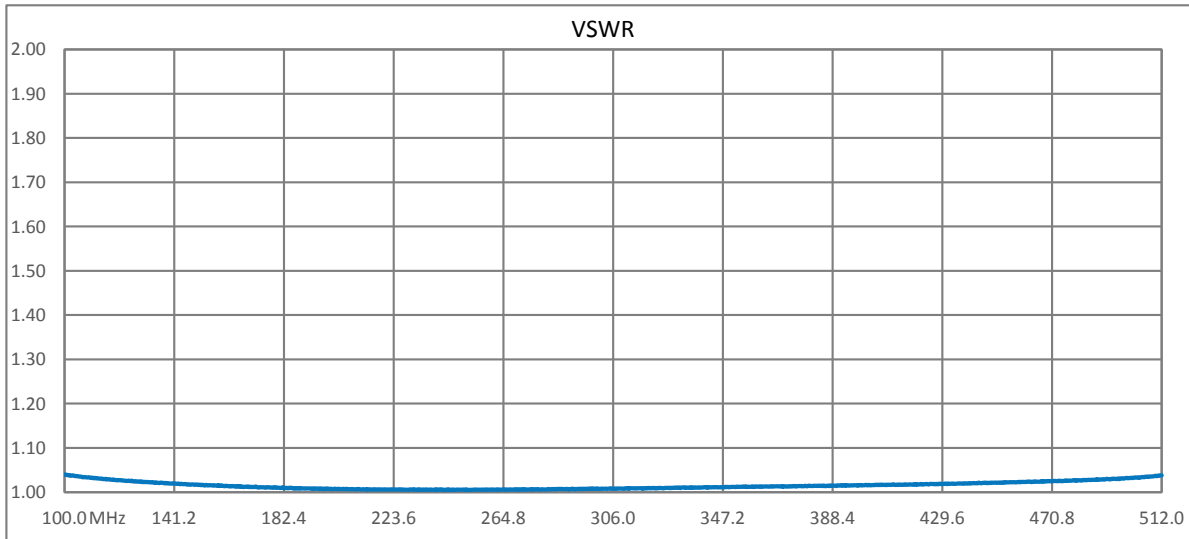
Click the following link (or enter part number in "SEARCH" on website) to obtain additional part information including price, inventory and certifications:
[7/16 F/F Bulkhead Coaxial RF Surge Protector, 100MHz - 512MHz, DC Block, 27kW, IP67, .5uJ, 20kA, Filter, Low PIM -150 dBc, Hole Mount VHF50D-PGR](#)

7/16 F/F Bulkhead Coaxial RF Surge Protector, 100MHz - 512MHz, DC Block, 27kW, IP67, .5uJ, 20kA, Filter, Low PIM -150 dBc, Hole Mount



VHF50D-PGR

Typical Performance Data

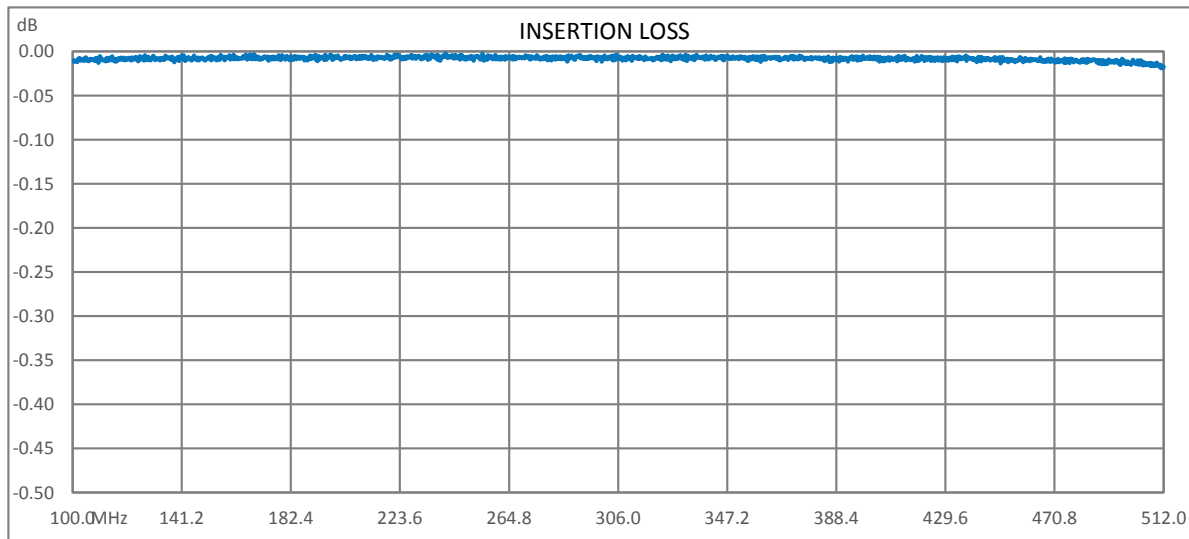


Click the following link (or enter part number in "SEARCH" on website) to obtain additional part information including price, inventory and certifications:
[7/16 F/F Bulkhead Coaxial RF Surge Protector, 100MHz - 512MHz, DC Block, 27kW, IP67, .5uJ, 20kA, Filter, Low PIM -150 dBc, Hole Mount VHF50D-PGR](#)

7/16 F/F Bulkhead Coaxial RF Surge Protector, 100MHz - 512MHz, DC Block, 27kW, IP67, .5uJ, 20kA, Filter, Low PIM -150 dBc, Hole Mount



VHF50D-PGR



PolyPhaser protects and increases the reliability of global RF communications networks, including transportation, telecommunications, defense, security and industrial applications, with superior RF surge protection technologies including DC Block, DC Pass and Ultra Low PIM. Backed by responsive service and expert technical support PolyPhaser continually expands its product offering and services to serve engineers' urgent needs for RF components in mission critical communication networks.

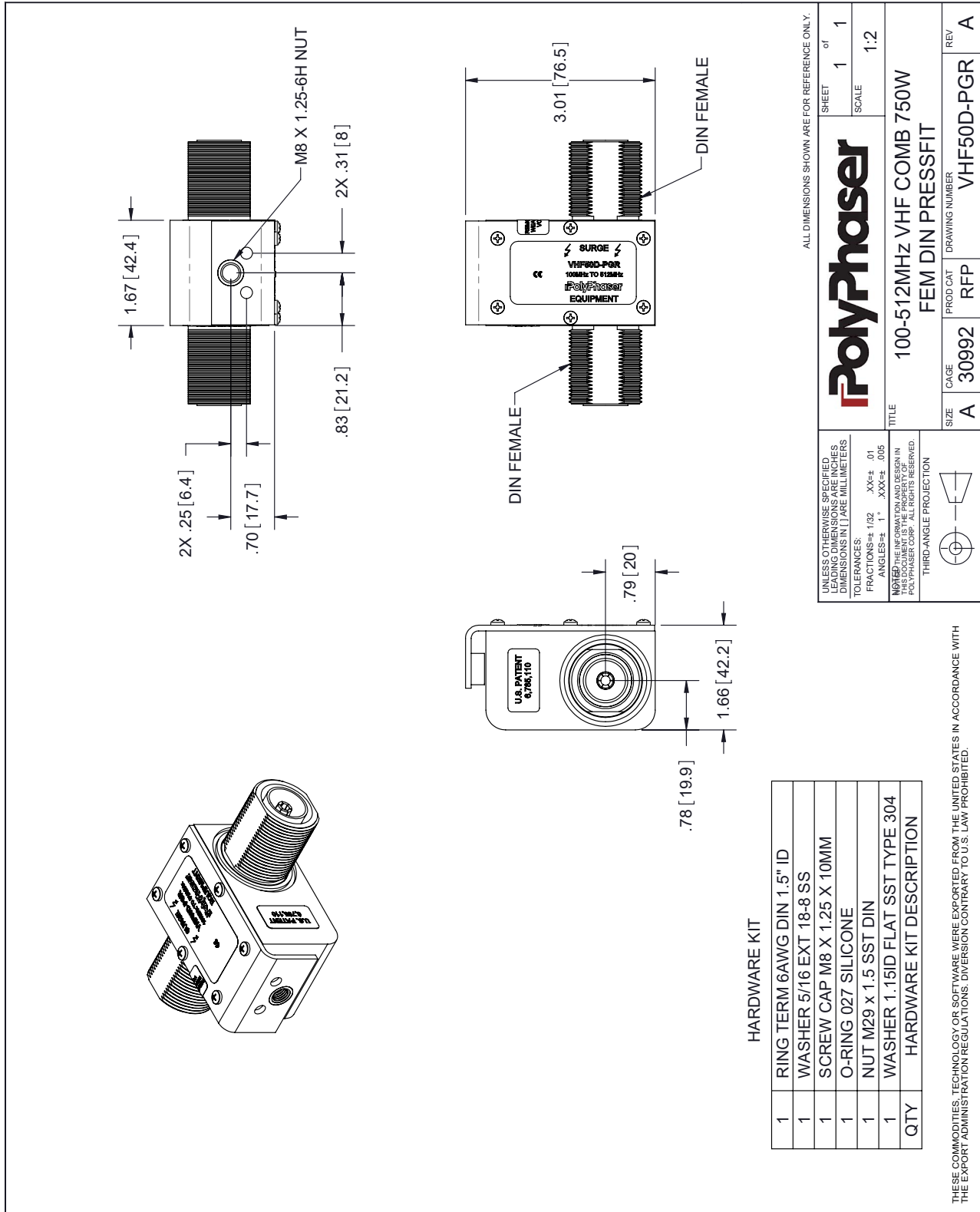
Click the following link (or enter part number in "SEARCH" on website) to obtain additional part information including price, inventory and certifications: [7/16 F/F Bulkhead Coaxial RF Surge Protector, 100MHz - 512MHz, DC Block, 27kW, IP67, .5uJ, 20kA, Filter, Low PIM -150 dBc, Hole Mount VHF50D-PGR](https://www.polyphaser.com/7-16-surge-protector-512mhz-filter-vhf50d-pgr-p.aspx)

URL: <https://www.polyphaser.com/7-16-surge-protector-512mhz-filter-vhf50d-pgr-p.aspx>

The information contained in this document is accurate to the best of our knowledge and representative of the part described herein. It may be necessary to make modifications to the part and/or the documentation of the part, in order to implement improvements. PolyPhaser reserves the right to make such changes as required. Unless otherwise stated, all specifications are nominal. PolyPhaser does not make any representation or warranty regarding the suitability of the part described herein for any particular purpose, and PolyPhaser does not assume any liability arising out of the use of any part or documentation.

7/16 F/F Bulkhead Coaxial RF Surge Protector, 100MHz - 512MHz, DC Block, 27kW, IP67, .5uJ, 20kA, Filter, Low PIM -150 dBc, Hole Mount

VHF50D-PGR CAD Drawing



HARDWARE KIT

1	RING TERM 6AWG DIN 1.5" ID
1	WASHER 5/16 EXT 18-8 SS
1	SCREW CAP M8 X 1.25 X 10MM
1	O-RING 027 SILICONE
1	NUT M29 x 1.5 SST DIN
1	WASHER 1.15ID FLAT SST TYPE 304
QTY	HARDWARE KIT DESCRIPTION

ALL DIMENSIONS SHOWN ARE FOR REFERENCE ONLY.

UNLESS OTHERWISE SPECIFIED LEADING DIMENSIONS ARE INCHES DIMENSIONS IN [] ARE MILLIMETERS

TOLERANCES:
 FRACTIONS: ± 1/32 .XXF± .01
 ANGLES: ± 1° .XXX± .005

NOTE: THE INFORMATION AND DESIGN IN THIS DRAWING IS THE PROPERTY OF POLYPHASER CORP. ALL RIGHTS RESERVED.

THIRD-ANGLE PROJECTION



SHEET	1	of	1
SCALE	1:2		
TITLE	100-512MHZ VHF COMB 750W FEM DIN PRESSFIT		

SIZE	A	CAGE	30992	PROD CAT	RFP	DRAWING NUMBER	VHF50D-PGR	REV	A
------	---	------	-------	----------	-----	----------------	------------	-----	---

THESE COMMODITIES, TECHNOLOGY OR SOFTWARE WERE EXPORTED FROM THE UNITED STATES IN ACCORDANCE WITH THE EXPORT ADMINISTRATION REGULATIONS. DIVERSION CONTRARY TO U.S. LAW PROHIBITED.