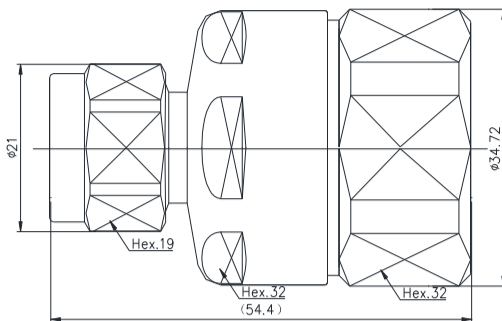


Product Specification

NM-7/8"L



N Straight male Connector for 7/8" Flexible RF Cable

ID:

Rev: A0

*The above picture is only for reference, we may change the appearance design in order to enhance performance without notification.

Material and Plating

Inner Conductor	Brass / Silver Plating
Body & Outer Conductor	Brass / Trimetal Plating
Insulator	PTFE/TPX
Gasket	Silicon Rubber
Nut	Brass/Trimetal Plating

Electrical Specifications

Characteristics Impedance	50 Ohm
Frequency Range	DC~11GHz
Insulation Resistance	$\geq 5000\text{M}\Omega$
Dielectric Withstanding Voltage	2500V rms
Operating Voltage	1500V rms
Center contact resistance	$\leq 1.00\text{ m}\Omega$
Outer contact resistance	$\leq 0.25\text{ m}\Omega$
Insertion Loss	@DC-2.7 GHz $\leq 0.10\text{dB}$
VSWR	@0.8-1.0 GHz ≤ 1.08 @1.7-2.7 GHz ≤ 1.10
PIM3(2*43dBm)	@1800MHz $\leq -155\text{dBc}$

Environmental & Mechanical Specifications

Durability (matings)	≥ 500 cycles
Mechanical Shock Test Method	MIL-STD-202, Method 213, Test Condition D
Vibration Test Method	MIL-STD-202, Meth. 204, Cond. A
Temperature Range	-45°C to +85°C
RoHS	Compliant
Sealing Class	IP68 24hr, 1m, 20°C

Regulatory Compliance / Certification

ISO 9001:2015	Compliant
---------------	-----------

The facts and figures contained herein are carefully compiled to the best of our knowledge, but they are intended for general informational purposes only.